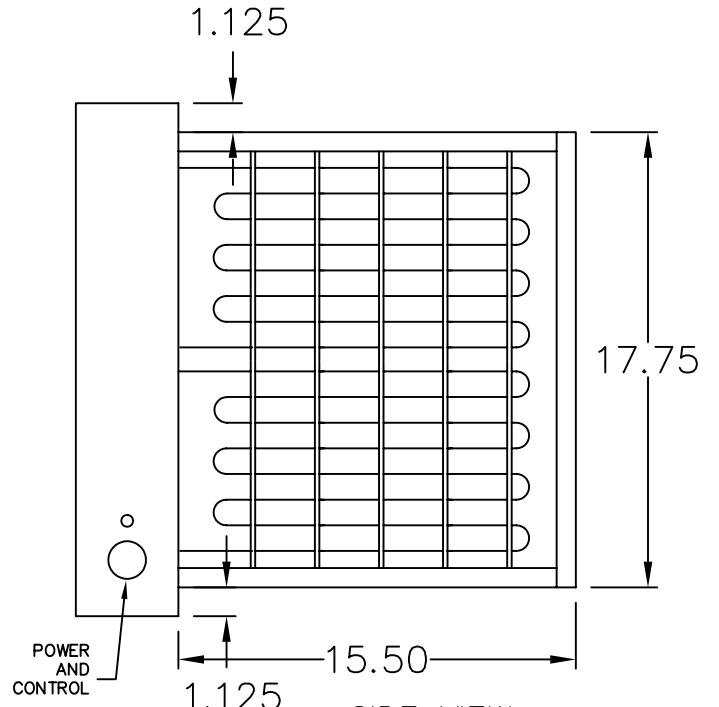
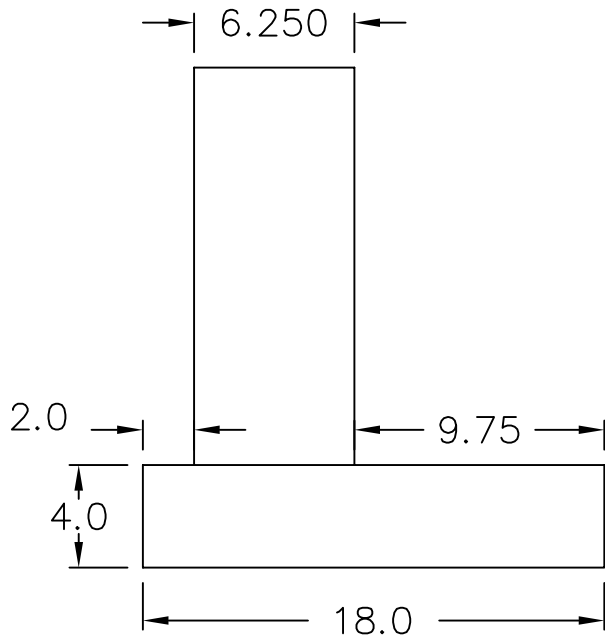


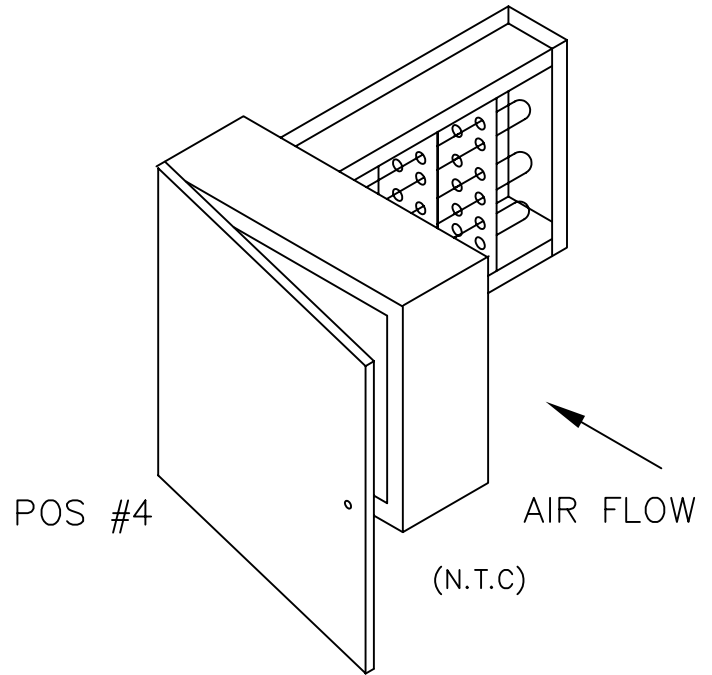
FRONT VIEW



SIDE VIEW



TOP VIEW



WARREN TECHNOLOGY INC.

Aprv: D.GREENOUGH

Dwg: DEC. 5, 2003

Date: RUP\EC\EC1 VIEW

MODEL NO. EC-1
 36 KW, 480/3
 16"W X 18"H DUCT
 2 STEPS
 WARREN #WEC1RP3605